

GROHE BLUE®

NEW



qr.grohe.com/2112

GROHE BLUE® CHILLED & SPARKLING
GROHE BLUE® PURE



**GROHE Blue®
Chilled & Sparkling:**
Filtered, cooled and
carbonated water



GROHE Blue® Pure:
Filtered water

Hot and cold
mixed water

GROHE Blue® Chilled & Sparkling



BLUE: Chilled and filtered
still water



TURQUOISE: Chilled
medium sparkling water



GREEN: Chilled full
sparkling water

GROHE Blue® Pure



BLUE: Still filtered water

Filtered and fresh, cool, still, or sparkling water. It's your choice with GROHE Blue® Water Systems. Instant access to great-tasting water from the convenience of your kitchen faucet whenever you want it – 24 hours a day, 7 days a week.

Choose between GROHE Blue® Pure with filtered, still water or GROHE Blue® Chilled & Sparkling with the option for filtered, chilled, and carbonated water straight from your kitchen faucet.

Pure Freude an Wasser



GROHE.COM/US

GROHE BLUE® CHILLED & SPARKLING

- Dual function faucet
- 16" Faucet height
- 180° Swivel spout
- 9 5/16" Aerator height
- GROHE SilkMove® 1 13/16" ceramic cartridge
- Separate handle for filtered/chilled/sparkling water
- Type of protection: IP 21
- CE approved
- 270 watt cooling unit, 115 V
- 50/60 Hz with safety extra-low voltage (SELV)
- 6 V DC to filter change display unit
- Includes GROHE Blue® carafe
- Separate inner water ways for filtered and non-filtered water

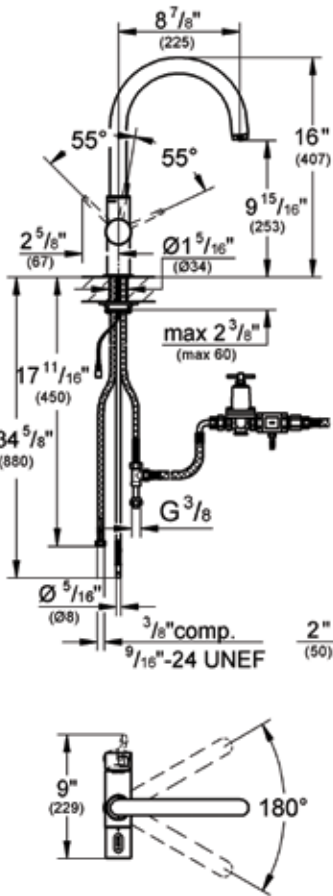
- Metal handle
- Includes cooling unit, back flow preventer, water pressure regulator, CO² pressure regulator and electrical plug-ins
- Flexible connection hoses and filter connector piece
- 2.2 gpm
- GROHE Blue® Chilled & Sparkling is not compatible with a Water Softening System. Minimum water hardness level = 7 grains per gallon
- Starter Kit with a 159 gallon (598 L) filter, filter head with flexible adjustment

GROHE BLUE® PURE

- Dual function faucet
- 16" Faucet height
- 180° Swivel spout
- 9 5/16" Aerator height
- C-Spout, single hole installation
- GROHE SilkMove® 1 13/16" ceramic cartridge
- Separate handle for filtered table water
- Type of protection: IP 55
- CE approved
- Main switching power supply 100 – 240 V AC
- 50/60 Hz with safety extra-low voltage (SELV)
- 6 V DC to filter change display unit
- Includes GROHE Blue® carafe

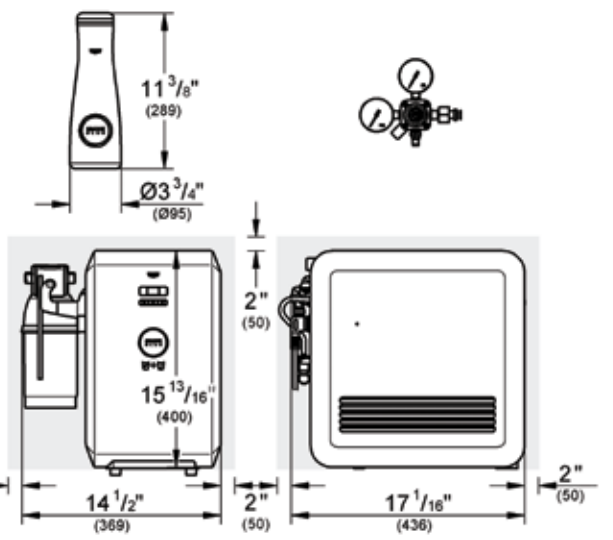
- Separate inner water ways for filtered and non-filtered water
- Metal handle
- Flexible connection hoses and filter connector piece
- 2.2 gpm
- Starter Kit with a 159 gallon (598 L) filter, filter head with flexible adjustment

GROHE Blue® Chilled & Sparkling



Capacity	Height	Product#	Price
158 Gallons	10.12"	40 550 000	\$58
396 Gallons	16.26"	40 551 000	\$78
792 Gallons	18.39"	40 552 000	\$98

Filter replacement are available at:
www.blueshop.grohe.us



NOTE:
Cooling unit requires a 2" (50 mm) ventilation clearance on all sides. Ensure adequate ventilation. Provide ventilation grilles in the cover or bottom of the cabinet.

Customers must purchase CO² cartridges separately. Please contact beverage distributors or suppliers.

GROHE Blue® Chilled & Sparkling



31 251 000 StarLight® Chrome Finish + 31 251 DC0 SuperSteel InfinityFinish®	\$3,729 \$3,929
---	--------------------

GROHE Blue® Pure



31 312 DC0 SuperSteel InfinityFinish® + 31 312 000 StarLight® Chrome Finish	\$725 \$925
---	----------------



GROHE
SilkMove®



GROHE
StarLight®



Pull-Out Spray



SmoothTurn



ComfortHeight



WaterCare